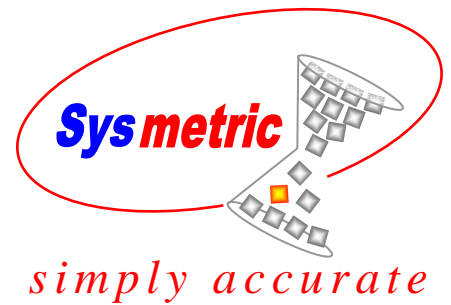


Gravimetric Dosers



GraviColor™

Gravimetric screw doser for colors and additives



Features:

- For injection molding and extrusion machines
- For granules
- Fast and fully automatic material adaptation
- Advanced control algorithm (C.P.R)
- Loss in weight technology
- Integrated air amplifier loader
- Dedicated SMART PLC control

Special application

- Combination of GraviColor™ and CD™ series (hybrid system)

SMART Control:

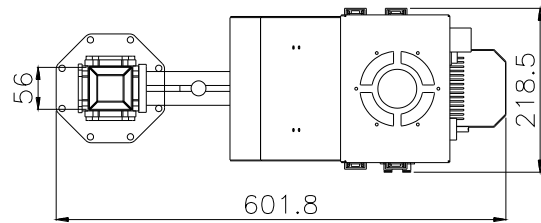
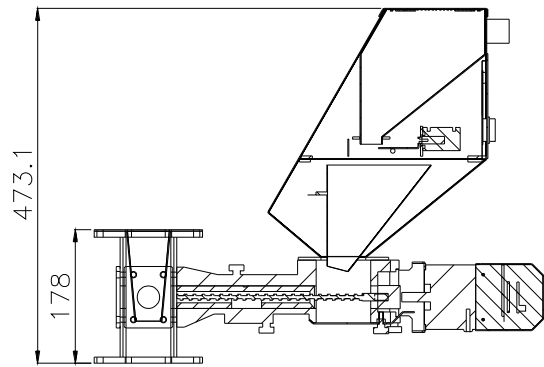
- Backlit graphical display with keypad and function keys
- Multi-language interface
- Galvanic isolated I/O for superior protection
- Isolated 10/100 Ethernet port
- Integrated machine data acquisition
- Optional remote PC control compatibility with *MinuMan* and *InjMan* software



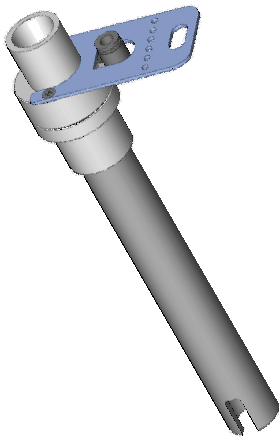
Capacity range with Granules *

Extrusion 0.07 kg/h – 18 kg/h
 Injection 0.02 gr/sec – 5 gr/sec

* Depending on the material's properties



Integrated air amplifier



PRESSURE (Bar)	2	3	4	5	6
Air Consumed (m³/min)	0.125	0.175	0.210	0.265	0.295
Outlet Flow (m³/min)	0.156	0.355	0.398	0.426	0.456